

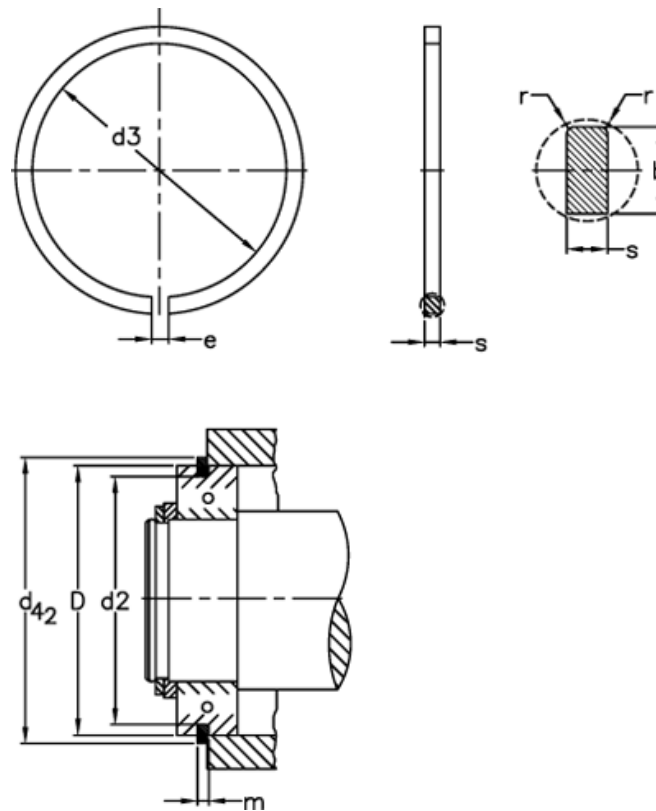
Data Sheet



Article number: 0125103

Description: Retaining ring SP110
Spring steel

Measures



| | | | | | |
|-------------|----------|--------------|---------|----------------|---------|
| b | = 4.85 | FRg kN | = 10.40 | tol | = -0.15 |
| D | = 110 | FR kN | = 71.2 | tol | = -0.1 |
| d2 | = 106.81 | g | = 3.5 | tol | = -0.50 |
| d3 | = 105.2 | K kN-mm | = 142.0 | tol | = 0.3 |
| d42 | = 116.6 | m | = 2.70 | tol | = 1.0 |
| Description | = SP 110 | n abl x 1000 | = 1.0 | Weight kg/1000 | = 32.8 |
| e | = 5 | r min | = 0.7 | | |
| FN kN | = 90.7 | s | = 2.46 | | |